

Ref. : F 6140.pas

Rev. : Initial

Date : 02/05/2007

Page : 1/1

# BSP THREADED TYPE "Y" STRAINER

## F 6140



ISO 9001 : 2000

Certifié par



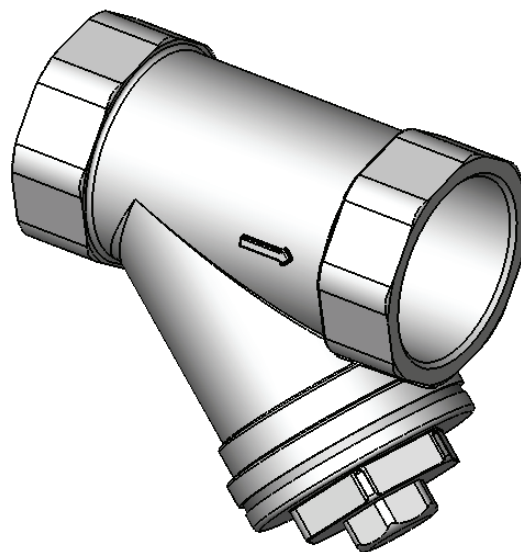
ROBINETTERIE INDUSTRIELLE ET ACCESSOIRES  
INDUSTRIAL VALVES AND ACCESSORIES

### APPLICATION

Filtering for all kind of fluids.

### GENERAL CHARACTERISTICS

Range : from DN 1/2" to 2".  
Stainless steel "Y" body, Stainless steel bonnet,  
dismountable stainless steel strainer.  
Mesh: 0,6 mm up to 1 mm.  
Design PN16.

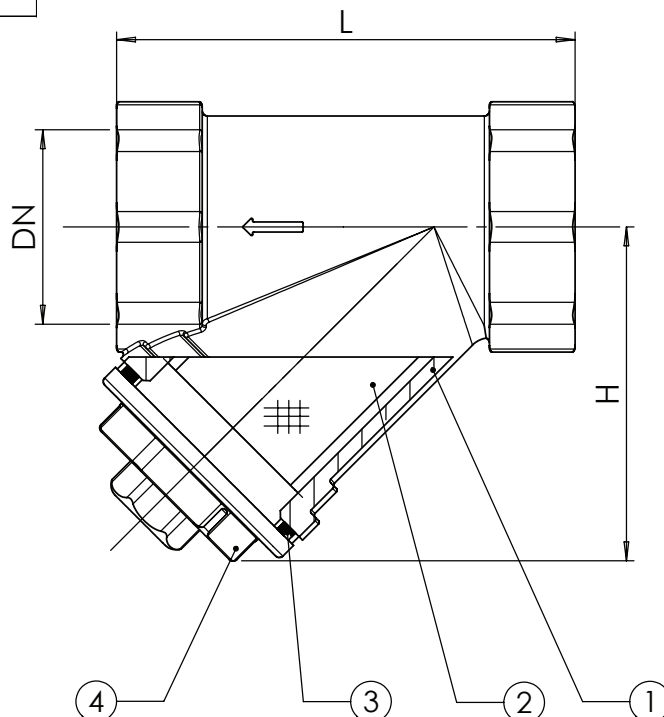


### CONSTRUCTION

4	1	Bonnet	Stainless steel 316	DIN: 17-455 G-X6CrNiMo 18 10 ASTM: A 351 Grade CF8M BS: 1504 316 C16
3	1	Gasket	PTFE	
2	1	Strainer	Stainless steel	
1	1	Body	Stainless steel 316	DIN: 17-455 G-X6CrNiMo 18 10 ASTM: A 351 Grade CF8M BS: 1504 316 C16
Pos.	Qty.	Description	Material	

### DIMENSIONS

DN		L	H	Mesh / Pitch (mm)	Weight (kg)
mm	inch				
15	1/2"	61	40	0,6 - 2	0,20
20	3/4"	70	42	0,6 - 2	0,27
25	1"	86	52	1 - 2	0,46
32	1" 1/4	100	60	1 - 2	0,63
40	1" 1/2	112	68	1 - 2	0,89
50	2"	138	85	1 - 2	1,41



### WORKING CONDITIONS

Maximum working pressure : 16 bar.  
Maximum temperature : + 200 °C.

Pressure test according to standards  
EN 12266-1, DIN 3230, BS 5154 and ISO 5208 :  
Body : 24 bar.

### STANDARDS

BSP threaded according to standard ISO 228-1