

Ref. : F 2143.pas

Rev. : A

Date : 17/06/2009

Page : 1/1

BSP THREADED TYPE "Y" STRAINER PN20

F 2143



Tecofi
FAREX FLUID SOLUTION DESIGNER

APPLICATION

Filtering for all kind of fluids.

GENERAL CHARACTERISTICS

Bronze "Y" body, bronze bonnet, dismountable stainless steel strainer.

PN 20

Mesh :

DN 15-20-25 : 0,4 mm.

DN 32-40-50 : 0,5 mm.

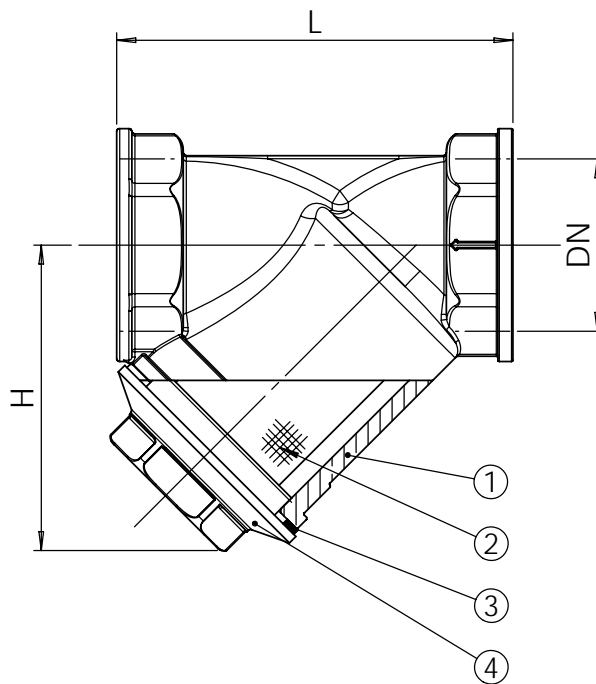


CONSTRUCTION

4	1	Bonnet	Bronze CuSn5Zn5Pb2-C	DIN: G-CuSn5PbZn (Rg 5) ASTM: B62 C83600 BS: 1400 LG2
3	1	Gasket	Fiber	
2	1	Strainer	Stainless steel 304 X5CrNi 18-10	DIN: X5CrNi18 10 ASTM: A 182 AISI 304 BS: 1449-2 304 S15
1	1	Body	Bronze CuSn5Zn5Pb2-C	DIN: G-CuSn5PbZn (Rg 5) ASTM: B62 C83600 BS: 1400 LG2
Pos.	Qty.	Description	Material	

DIMENSIONS

DN		L	H	Maille / Mesh (mm)	Weight (kg)
mm	inch				
15	1/2"	58,0	39,7	0,4	0,144
20	3/4"	67,5	44,2	0,4	0,21
25	1"	82,5	53,8	0,4	0,325
32	1"1/4"	91,5	61,7	0,5	0,484
40	1"1/2"	106,5	71,5	0,5	0,773
50	2"	126	88,9	0,5	1,350



WORKING CONDITIONS

Maximum working pressure : 20 bar.

Maximum temperature : + 120°C.

Pressure test according to standards

EN 12266-1, DIN 3230, BS 5154 and ISO 5208 :

Body : 30 bar.

STANDARDS

BSP threaded according to standard ISO 228-1.