

Ref. : PVS4240.pas

Rev. : B

Date : 22/11/2013

Page : 1/1

# AIR RELEASE VALVE SINGLE CHAMBER SINGLE FUNCTION PN10/16

## PVS 4240



**Tecofi'**  
VALVE DESIGNER - FRANCE

### APPLICATION

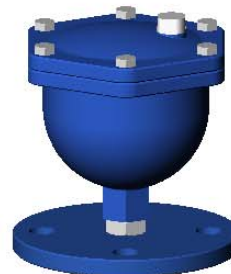
General use : discharge of the small bubbles of air that are located in the top of the pipes to improve the circulation of the fluid.

### GENERAL CHARACTERISTICS

Range : from DN 25 to DN 150.

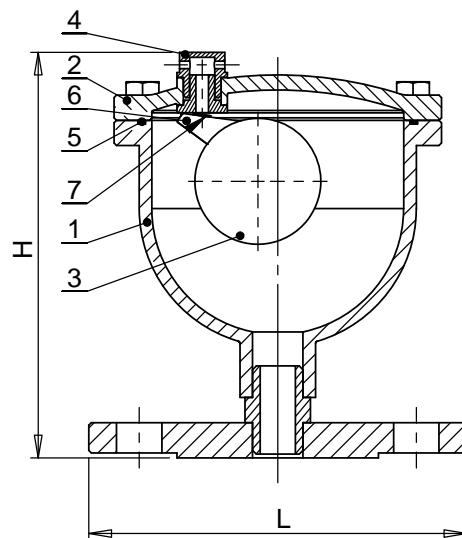
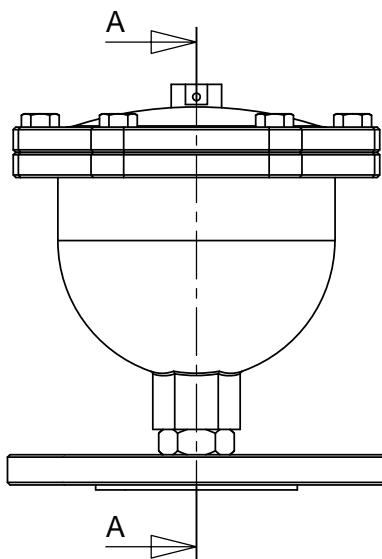
### CONSTRUCTION

7	Sealing	EPDM
6	Pin	SS 304
5	O-ring	EPDM
4	Orifice body	Brass
3	Ball	Foamed polypropylene
2	Cover	Ductile iron GGG 40
1	Body	Ductile iron GGG 40
<b>Pos.</b>	<b>Description</b>	<b>Material</b>



### DIMENSIONS

DN		H	L	Weight (kg)
mm	inch			
25	1"	195	115	5,9
40	1"1/2	195	150	7
50	2"	195	165	7,5
65	2"1/2	195	185	8
80	3"	195	200	9
100	4"	195	220	10



### WORKING CONDITIONS

Maximum temperature: +80°C.  
Maximum working pressure :16 bar.

### STANDARDS

Flanged PN10/16 according to EN 1092-2.