

Ref. : EV 1141.pas

Rev. : B

Date : 29/01/07

Page : 1/1

SOLENOID VALVE NO WITH ASSISTED DIAPHRAGM

EV 1141



ROBINETTERIE INDUSTRIELLE ET ACCESSOIRES
INDUSTRIAL VALVES AND ACCESSORIES

APPLICATION

Solenoid valve, Normally opened.
Clear water, hot water, steam (with EPDM gasket)

GENERAL CHARACTERISTICS

Mini differential pressure :

DN ≤ 2" : 0,1 bar

DN > 2" : 0,2 bar

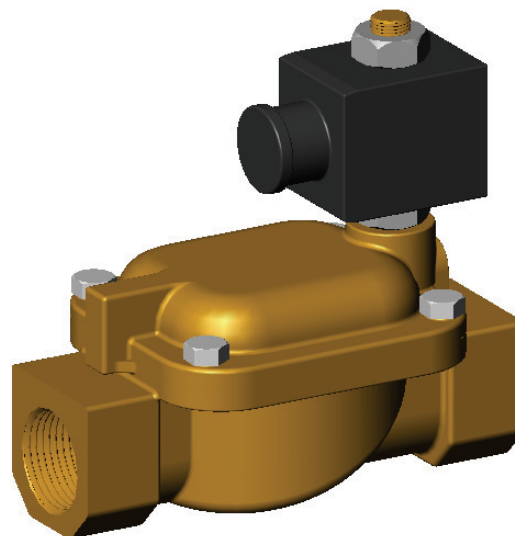
Voltage :

Alternative current (12-24-48-110-230-400 V).

Direct current (12-24-48-110 V).

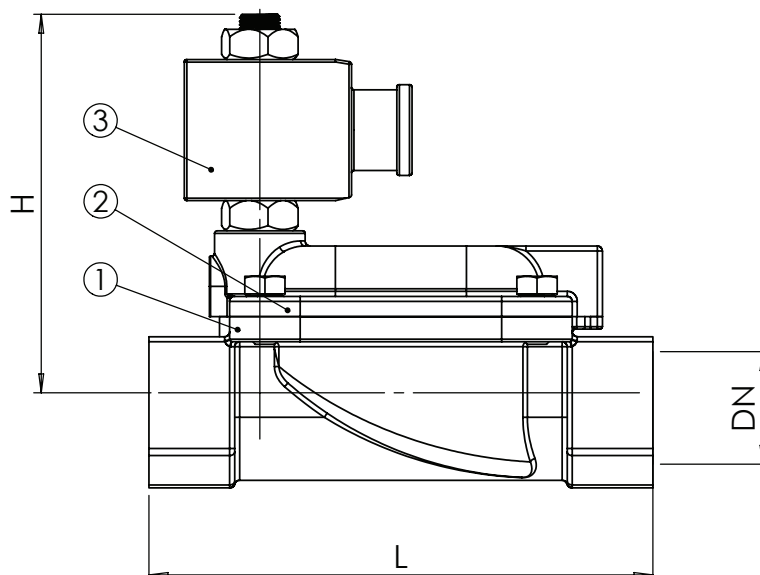
CONSTRUCTION

5		Internal parts	Stainless steel	
4	1	Diaphragm	NBR	EPDM on request
3	1	Solenoid		
2	1	Bonnet	Brass CuZn40Pb2	DIN: CuZn40Pb2 ASTM: B124 C37700 BS: 12164 CZ122
1	1	Body	Brass CuZn40Pb2	DIN: CuZn40Pb2 ASTM: B124 C37700 BS: 12164 CZ122
Pos.	Qty.	Description	Material	



DIMENSIONS

DN		L	H
mm	inch		
12	3/8"	69	99,5
15	1/2"	72	101,5
20	3/4"	100	107,0
25	1"	104	112,5
32	1" 1/4	145	134,0
40	1" 1/2	145	134,0
50	2"	173	148,0
65	2" 1/2	245	195,0
80	3"	250	195,0



WORKING CONDITIONS

Maximum working pressure :

DN ≤ 1" : 20 bar

DN > 1" : 10 bar

Maxi temperature :

+ 90 °C (NBR)

+ 140 °C (EPDM)

STANDARDS

BSP threaded according to standard ISO 228-1.

5, impasse Pascal - Z.I. - BP 177 - 69686 CHASSIEU Cedex - FRANCE
Tél. +33 (0) 4 72 79 05 79 - Fax +33 (0) 4 78 90 19 19 / +33 (0) 4 72 79 05 70
E-mail : tecofi@tecofi.fr - Service commercial / Sales dep. : sales@tecofi.fr - www.tecofi.fr