

RESILIENT SEAT GATE VALVE

VOC 4241C-00



APPLICATION

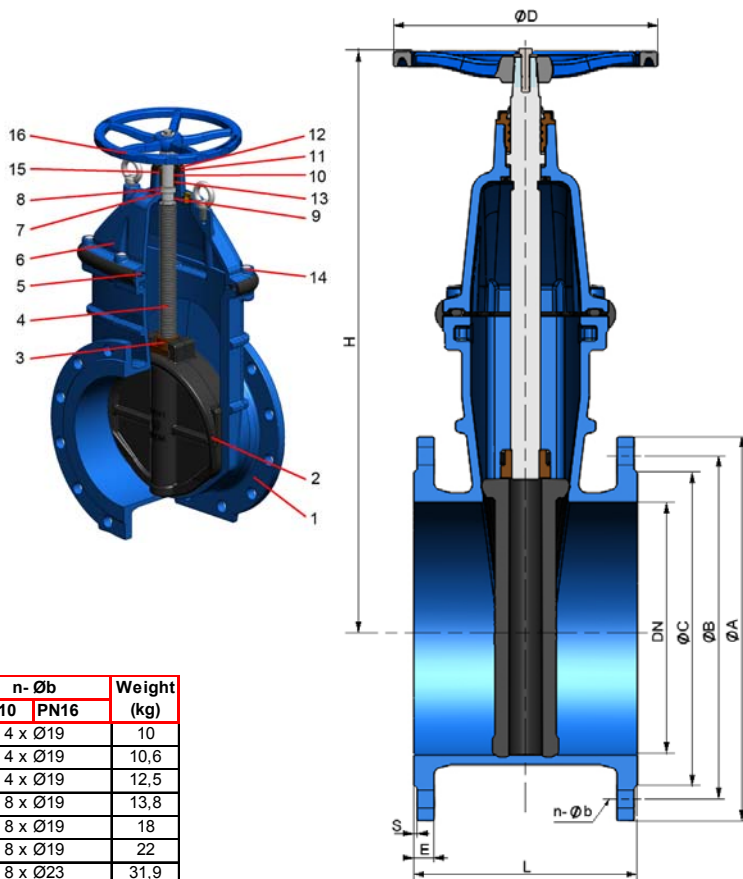
General use : Water supply, fire protection, irrigation, water treatment.

GENERAL CHARACTERISTICS

Range : from DN40 to DN400.
 Elastomer protection of valve body against shock.
 With epoxy coating RAL 5015, 250 microns thickness.
 Non rising stem. Clockwise to close.
 No zone of retention. Low head losses.

CONSTRUCTION

16	1	Handwheel		
15	1	Screw	Stainless steel	
14	1	Bolt	Carbon steel	
13	1	Sealing nut	Brass	
12	1	Dust-proof sealing ring	NBR	
11	1	O ring	EPDM	
10	3	O ring	NBR	
9	1	O ring	EPDM	
8	1	Stem sealing gasket	PTFE	
7	2	O ring	EPDM	
6	1	Bonnet	Ductile iron	DIN: GGG 50 ASTM: A536 65-45-12 BS: 1563 EN-JS1050
5	1	Sealing gasket	EPDM	
4	1	Stem	Stainless steel 420	
3	1	Stem nut	Brass	
2	1	Wedge	EPDM coated ductile iron	DIN: GGG 50 ASTM: A536 65-45-12 BS: 1563 EN-JS1050
1	1	Body	Ductile iron	DIN: GGG 50 ASTM: A536 65-45-12 BS: 1563 EN-JS1050
Pos.	Q-ty	Description	Material	



DIMENSIONS

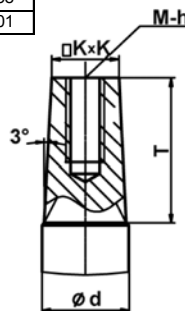
DN		L	H	ØD	ØA		ØB		ØC	E		S	n- Øb		Weight (kg)
mm	inch				PN10	PN16	PN10	PN16		PN10	PN16		PN10	PN16	
40	2"1/2	140	220	195	150	110	84	16	3	4 x Ø19	10				
50	2"	150	230	195	165	125	99	16	3	4 x Ø19	10,6				
60/65	2"1/4 / 2"1/2	170	265	215	185	135/145	118	16	3	4 x Ø19	12,5				
80	3"	180	290	215	200	160	132	16	3	8 x Ø19	13,8				
100	4"	190	335	245	220	180	156	16	3	8 x Ø19	18				
125	5"	200	380	245	250	210	184	16	3	8 x Ø19	22				
150	6"	210	415	295	285	240	211	16	3	8 x Ø23	31,9				
200	8"	230	510	395	340	295	266	17	3	8 x Ø23 12 x Ø23	54,5				
250	10"	250	600	495	400	350 355	319	19	3	12 x Ø23 12 x Ø28	75,5				
300	12"	270	690	495	455	400 410	370	20,5	4	12 x Ø23 12 x Ø28	110				
350	14"	290	790	600	505 520	460 470	429	22,5	4	16 x Ø23 16 x Ø28	158				
400	16"	310	855	600	565 580	515 525	480	24	4	16 x Ø28 16 x Ø31	201				

WORKING CONDITIONS

Maximum working pressure : 16 bar.
 Maximum working temperature: 110°C

STANDARDS

Face to face according to DIN 3352/ F4 and DIN Short pattern.
 Connection according to standard EN 1092-2 ISO PN10 and ISO PN16.
 Certificat of health conformity n° 16 ACC LY 039.



DN		Ød	K	M	h	T
mm	inch					
40	2"1/2	20	14,3	8	20	29
50	2"	20	14,3	8	20	29
60/65	2"1/4 / 2"1/2	24	17,3	10	20	33
80	3"	24	17,3	10	20	33
100	4"	28	19,3	10	20	38
125	5"	28	19,3	10	20	38
150	6"	28	19,3	10	20	38
200	8"	30	24,3	10	20	42
250	10"	36	27,3	12	25	47
300	12"	36	27,3	12	25	47
350	14"	38	27,3	12	25	47
400	16"	38	27,3	12	25	47