

Ref. : VP 4240-BX4.pas

Rev. : A

Date : 18/11/2011

Page : 1/1

# DOUBLE EXCENTRIC TYPE BUTTERFLY VALVE WITH ELECTRIC ACTUATOR "BERNARD" TECWAT PN16 VP 4240-BX4



### PRODUCT REFERENCE

	REFERENCES	Electric actuator type
<input type="checkbox"/>	VP4240-B04	BERNARD 400V 3 PH
<input type="checkbox"/>	VP4240-B14	BERNARD 230V 3 PH
<input type="checkbox"/>	VP4240-B24	BERNARD 230V 1 PH
<input type="checkbox"/>	.....	.....

### APPLICATION

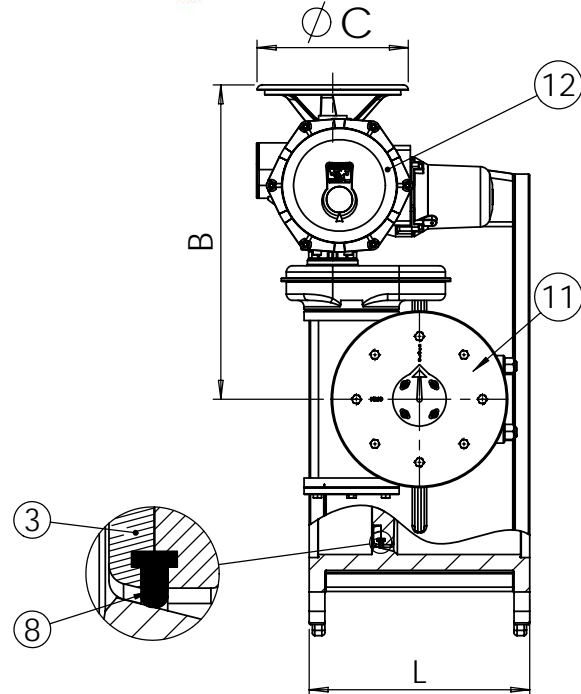
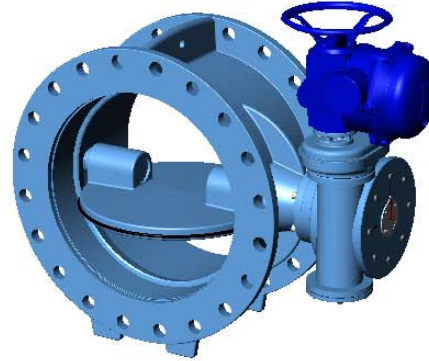
General use : potable water, sea water.

### GENERAL CHARACTERISTICS

TECWAT type : long pattern.  
Design in according to EN 593.  
Range : from DN 200 to DN 1600.  
Assembling with preferential sense  
Bi-directional on demand.  
Double excentric type.  
Replaceable seat, no wrenkling possibility.  
Food epoxy painting.

### CONSTRUCTION

12	1	Electric actuator		BERNARD
11	1	Gearbox		
10	2	Key	Steel Ck45	
9	2	O-ring	EPDM	
8	1	Sealing ring	EPDM	
7	1	Cover free end	Ductile iron EN-GJS-400-15	DIN: GGG 40 ASTM: A536 65-45-12 BS: 1563 EN-JS1030
6	2	Bearing bush	Bronze + DELRIN	
5	1	Shaft free end	Stainless steel X20Cr13	DIN: 1.4021 ASTM: AISI 420 BS: 420 S 37
4	1	Shaft driven end	Stainless steel X20Cr13	DIN: 1.4021 ASTM: AISI 420 BS: 420 S 37
3	1	Retaining ring	Steel S235JR	
2	1	Disc	Ductile iron EN-GJS-400-15	DIN: GGG 40 ASTM: A536 65-45-12 BS: 1563 EN-JS1030
1	1	Body	Ductile iron EN-GJS-400-15	DIN: GGG 40 ASTM: A536 65-45-12 BS: 1563 EN-JS1030
Pos.	Qty.	Description	Material	



### DIMENSIONS

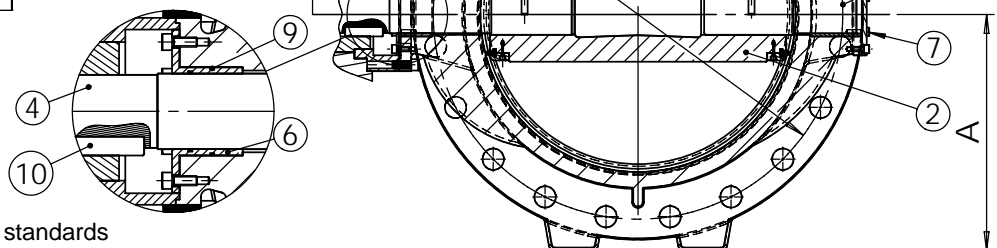
DN		L	A	B	C	D	E	ØK	nxØL	Type moteur	Weight (kg)
mm	inch										
200	8"	230	180			177	282	295	12xØ24	ASM0	75
250	10"	250	213			214	352	355	12xØ28	ASM1	110
300	12"	270	242	444	400	237	380	410	12xØ28	ASM1	135
350	14"	290	272	465	400	283	410	470	16xØ28	ASM1	168
400	16"	310	300	566	300	297	441	525	16xØ31	ASM1	191
450	18"	330	330	566	300	333	485	585	20xØ31	ASM1	241
500	20"	350	370	615	300	344	531	650	20xØ34	ASM0	310
600	24"	390	432	615	400	414	594	770	20xØ37	ASM1	394
700	28"	430	467	678	400	511	653	840	24xØ37	ASM1	593
800	32"	470	525	678	400	530	743	950	24xØ41	ASM1	743
900	36"	510	573	713	400	618	802	1050	28xØ41	ASM1	961
1000	40"	550	638	713	400	650	854	1170	28xØ44	ASM1	1168
1100	44"	590	696	713	400	720	906	1270	32xØ44	ASM1	1558
1200	48"	630	753	847	300	782	1008	1390	32xØ50	ST14	2139
1400	56"	710	848	847	300	917	1101	1590	36xØ50	ST14	2721
1500	60"	750	930	990	300	986	1142	1710	36xØ57	ST14	4031
1600	64"	790	975	990	300	1115	1265	1820	40xØ57	ST14	4397

### WORKING CONDITIONS

Maximum working pressure : 16 bar.  
Maximum temperature : + 80 °C.

### STANDARDS

Design according to EN 593.  
Test procedures are established according to standards EN 12266-1 and API 598.  
Face to face according to standard EN 558-1 serie 14.  
Connections according to standard EN 1092-2 ISO PN16.



Parc Technoland - 2 Allée du Lazio - 69800 Saint Priest - FRANCE  
Tél. +33 (0) 4 72 79 05 79 - Fax +33 (0) 4 78 90 19 19 / +33 (0) 4 72 79 05 70  
E-mail : tecofi@tecofi.fr - Service commercial / Sales dep. : sales@tecofi.fr - www.tecofi.fr