

# THREADED LUGS BUTTERFLY VALVE WITH HANDLE

## VP 3648-02



**Tecofi**  
FAREX FLUID SOLUTION DESIGNER

### APPLICATION

General use: water, air, acids etc.

### GENERAL CHARACTERISTICS

Tightness in both ways. NF EN 12266-1, ISO 5208, DIN 3230.

Two kinds of sleeves:

- body in dovetail shape ensures a perfect assembling (for high vacuum we can stick it),
- Internally reinforced aluminium sleeve giving a lower torque.

Stem: high and low semi stem giving a high flow coefficient.

Machined disc on periphery giving a low and regular torque.

Stem unjectable. Bearing: stainless steel teflon lined.

Dovetail type sleeve, mounting flange according to ISO 5211.

Handle: ductile iron, very resistant: notched, locked notch, regulating option. It's easy to change the locked notched type into a regulating handle, without disassembling.

### CONSTRUCTION

15	1	Screw	Stainless steel A2	
14	2	Nut	Stainless steel A2	
13	2	Spring washer	Stainless steel A2	
12	2	Screw FHC	Stainless steel A2	
11	1	Handle	Ductile iron	
10	1	Notched indicator	Aluminium	
9	2	Split pin	Stainless steel	
8	1	Gasket	NBR	
7	2	O-Ring	NBR	
6	2	Guiding bearing	Teflon-lined	
5	1	Upper stem	Stainless steel 416	DIN: 1.4005 ASTM: AISI 416 BS: 416 S 21
4	1	Lower stem	Stainless steel 416	DIN: 1.4005 ASTM: AISI 416 BS: 416 S 21
3	1	Sleeve	Heat EPDM	
2	1	Disc	Ductile iron EN-GJS-400-15	DIN: GGG 40 ASTM: A536 65-45-12 BS: 1563 EN-JS1030
1	1	Body	Cast iron EN-GJL-250	DIN: GG25 ASTM: A48 Class 40B BS: 1452 Grade 250
<b>Pos.</b>	<b>Qty.</b>	<b>Description</b>	<b>Material</b>	

### DIMENSIONS

DN	L	G	H	H1	Ø T	n	Ø M	V	TYPE	Weight (kg)
DN 40 – 1" 1/2	33	66	184	134	110	4	M 16	180	F07	4,0
DN 50 – 2"	43	72	190	140	125	4	M 16	180	F07	4,6
DN 65 – 2.5"	46	78	203	153	145	4	M 16	180	F07	5,6
DN 80 – 3"	46	89	209	159	160	8	M 16	180	F07	6,6
DN 100 – 4"	52	102	228	178	180	8	M 16	220	F07	8,1
DN 125 – 5"	56	117	240	190	210	8	M 16	220	F07	10,4
DN 150 – 6"	56	130	253	203	240	8	M 20	220	F07	12,7
DN 200 – 8"	60	159	288	238	295	8	M 20	318	F10	20,2
DN 250 – 10"	68	190	318	268	350	12	M 20	318	F10	32,3
DN 300 – 12"	78	222	356	306	400	12	M 20	318	F10	44,7

### STANDARDS

Manufacture according to the requirements of the European directive 97/23/CE «Equipment under pressure»: category III modulate H.

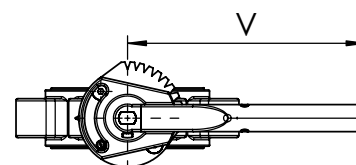
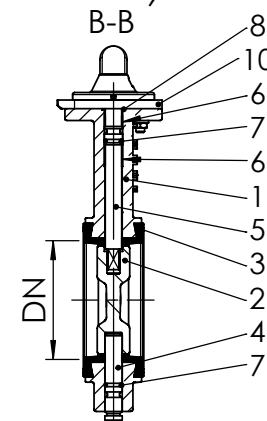
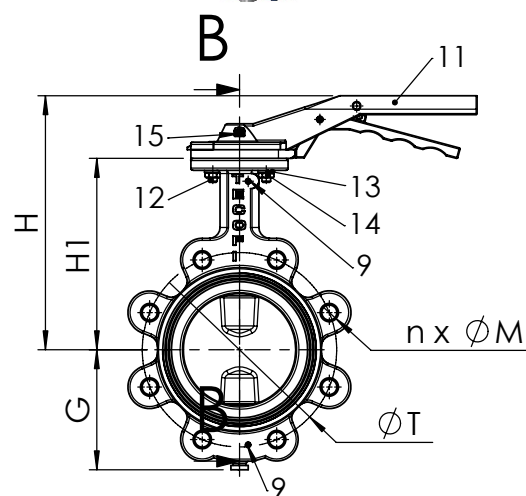
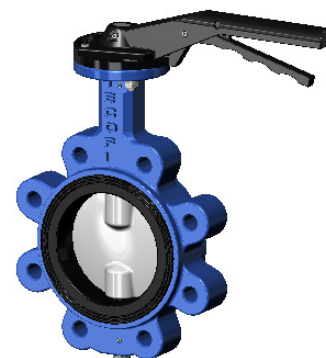
Face to face according to standards :

NF EN 558-1 serie 20, ISO 5752 serie 20, DIN 3202.

Mounting standard between flanges PN 10/16 up to DN 150, PN 10 for upper diameters.

On request: between flanges PN 16 / ASA 150.

PN20 on request with ductile iron body.



### WORKING CONDITIONS

Maximum working pressure : 16 bar.

Maximum temperature : -15°C / +130°C.

Peak temperature : -30°C / +150°C.

Pressure test according to standards

EN 12266-1, DIN 3230, BS 6755 and ISO 5208 :

Body : 24 bar.

Seat : 17,6 bar.

**TECOFI France** - 83, Rue Marcel Mérieux 69960 Corbas - FRANCE  
Tél. +33 (0) 4 72 79 05 79 - Fax +33 (0) 4 78 90 19 19 / +33 (0) 4 72 79 05 70  
Adresses e-mail : sales@tecofi.fr ; tecofi@tecofi.fr / Site web : [www.tecofi.fr](http://www.tecofi.fr)