

Ref. : BS 5179.pas

Rev. : Initial

Date : 25/10/06

Page : 1/1

FULL BORE BALL VALVE PN64

BS 5179



ROBINETTERIE INDUSTRIELLE ET ACCESSOIRES
INDUSTRIAL VALVES AND ACCESSORIES

APPLICATION

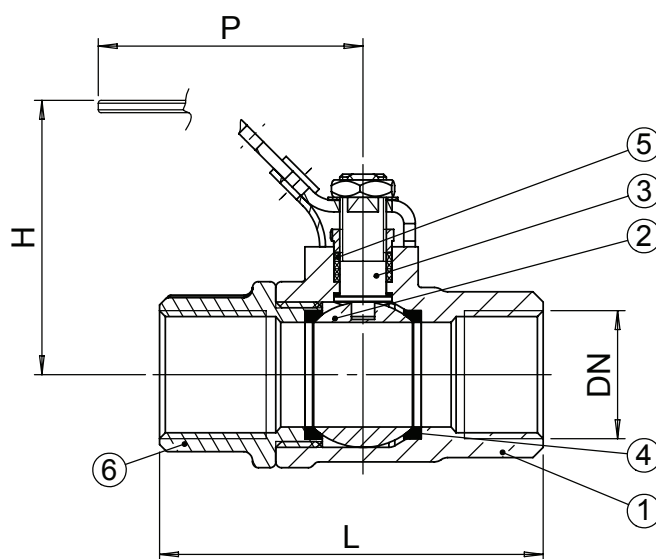
General uses : oil, hydrocarbons, liquidates, gas, paint, solvent.

GENERAL CHARACTERISTICS

Steel body, stainless steel stem and ball - PTFE + 15% of glass seat.
BSP Threaded ends - Full bore.
Operating by stainless steel lever with locking devise - PN 64.

CONSTRUCTION

6	1	Mobility body	Carbon steel	DIN: GS-C25 ASTM: A216 Grade WCB BS: 161 Grade 430E
5	1	Packing gland	PTFE	
4	2	Seat	PTFE	
3	1	Stem	Stainless steel 304 X5CrNi 18-10	DIN: X5CrNi18 10 ASTM: A 182 AISI 304 BS: 1449-2 304 S15
2	1	Ball	Stainless steel 304 X5CrNi 18-10	DIN: X5CrNi18 10 ASTM: A 182 AISI 304 BS: 1449-2 304 S15
1	1	Body	Carbon steel	DIN: GS-C25 ASTM: A216 Grade WCB BS: 161 Grade 430E
Pos.	Qty.	Description	Material	



DIMENSIONS

DN		PS max (bar)	L	H	P	Weight (kg)
mm	inch					
8	1/4"	40	41	32	80	0,15
12	3/8"	40	46	32	80	0,16
15	1/2"	40	63	42	92	0,26
20	3/4"	40	71	45	92	0,35
25	1"	40	83	54	115	0,58
32	1" 1/4	30	92	59	115	0,81
40	1" 1/2	30	104	70	150	1,33
50	2"	20	126	78	150	2,02
65	2" 1/2	18	141	109	260	4,00
80	3"	18	161	118	260	5,45
100	4"	18	192	130	260	9,05

WORKING CONDITIONS

PS max : Following DN (T max : +100 °C)

Steam

PS max : 8 bar (T max : +180°C)

Pressure test according to standards

EN 12266-1, DIN 3230, BS 5154 and ISO 5208.

Body : PS x 1,5

Seat : PS x 1,1

STANDARDS

BSP threaded according to standard ISO 228-1.

5, impasse Pascal - Z.I. - BP 177 - 69686 CHASSIEU Cedex - FRANCE
Tél. +33 (0) 4 72 79 05 79 - Fax +33 (0) 4 78 90 19 19 / +33 (0) 4 72 79 05 70
E-mail : tecofi@tecofi.fr - Service commercial / Sales dep. : sales@tecofi.fr - www.tecofi.fr