

Ref. : BS 1143 pas

Rev. : C

Date : 09/01/2017

Page : 1/1

BALL VALVE FULL BORE

BS 1143



APPLICATION

General uses : water distribution.

GENERAL CHARACTERISTICS

From DN8 to DN50

Full bore

Anti-blow out stem

With gland pack

CONSTRUCTION

6	1	Packing	PTFE
5	1	Stem	Brass
4	1	Ball	Brass
3	2	Seat	PTFE
2	1	Interior body	Nickelated brass
1	1	Exterior body	Nickelated brass
Pos.	Qty.	Description	Material



DIMENSIONS

DN		H	L	P	D	Weight (kg)
mm	inch					
8	1/4"	43	40	97	8	0.12
10	3/8"	47	43.8	95	10	0.14
15	1/2"	54	47	95	14	0.17
20	3/4"	54	53.3	95	18.5	0.23
25	1"	58	65	113	23	0.37
32	1 1/4"	66	73.1	134	29	0.60
40	1 1/2"	71	80.9	134	37	0.75
50	2"	89	98	163	47	1.30

WORKING CONDITIONS

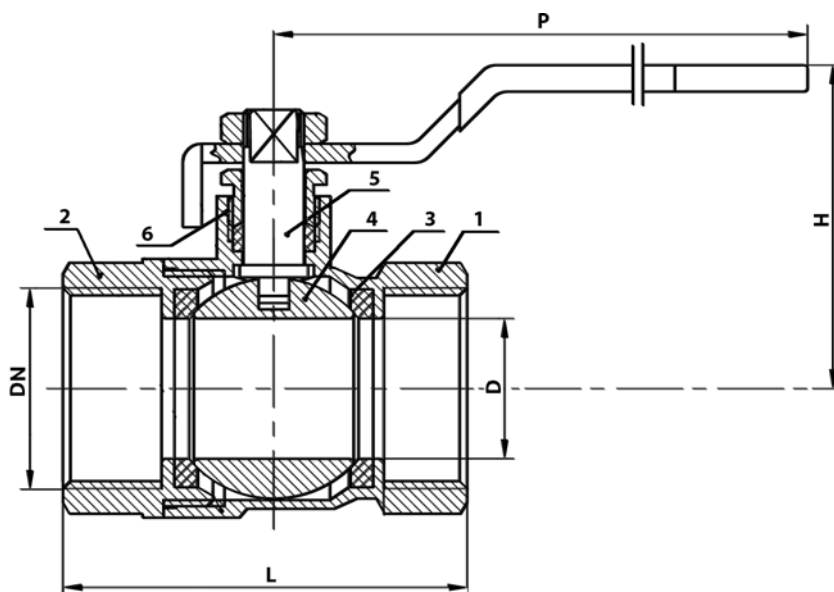
Maximum temperature : - 20°C / + 120°C.

Maximum working pressure : 25 bar

STANDARDS

BSP threaded according to standard ISO 228-1.

Certificat of health conformity n° 13 ACC LY 556



The photographs and technical art works are not contractual. The specifications of the presented products are open to modifications without previous advice.