

# WAFER TYPE DUAL PLATE CHECK VALVE

## CB 3448



### APPLICATION

General uses: pumping, water supply, gas, air conditioning installation.

### GENERAL CHARACTERISTICS

Design in accordance with standard NF EN 12334 and NF EN 14341.

Range: From DN 40 to DN 600.

Mounting between flanges.

Working positions: horizontal and vertical ascending, and vertical descending position < DN 150.

Mounting in accordance with many standards connections.

Low head loss.

Stainless steel spring technology to avoid fluid hammer.

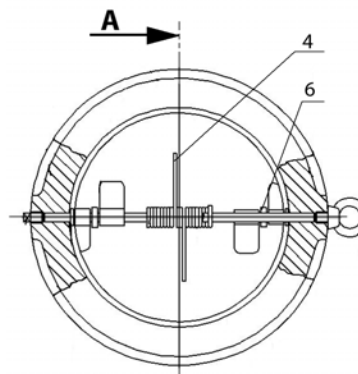


### CONSTRUCTION

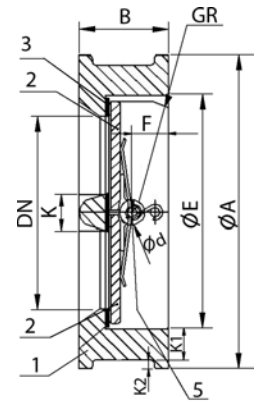
6	6	Washer	PTFE	
5	2	Stem	Stainless steel	
4	2	Spring	Stainless steel	
3	2	Gasket	EPDM	
2	2	Plate	Ductile iron EN-GJS-400-15	DIN: GGG 40 ASTM: A536 65-45-12 BS: 1563 EN-JS1030
1	2	Body	Cast iron EN-GJL-250	DIN: GG25 ASTM: A48 class 40B BS: 1452 Grade 250
Rep.	Qty.	Description	Material	

### DIMENSIONS

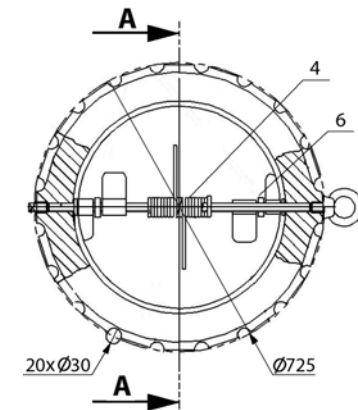
DN		ØA	ØE	B	GR	F	Ød	K	K1	K2	Weight (kg)
mm	inch										
40	1 1/2	92	57	43	25	19	5	12	7	11	1.05
50	2	107	65	43	28,8	19	6	17,5	10	12	1.6
65	2 1/2	127	80	46	36,1	20	6	18,5	13	11	2.4
80	3	142	94	64	43,4	28	6	24,5	14	11	3.75
100	4	162	117	64	52,8	27	8	26	14	9	4.85
125	5	192	145	70	65,7	30	8	29	14,5	9	6.75
150	6	218	171	76	78,6	31	10	31,5	18,5	5,5	9.15
200	8	273	224	89	104,4	33	10	36	15	10	15.6
250	10	328	265	114	127	50	14	44	18	16	26.95
300	12	378	310	114	148,3	43	14	47	19	14,5	36.8
350	14	438	360	127	172,4	45	14	50	24	15	55.00
400	16	488	410	140	197,4	52	17	53	27	13	73.00
450	18	538	454	152	217,8	58	20	60	31	13	99.00
500	20	592	505	152	241	58	20	76	32	12	117.00
600	24	720	624	178	295,4	73	22	100	28,5	20,5	177.00



DN 40-500



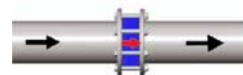
A-A



DN 600

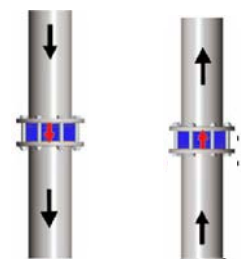
#### Horizontal

For assembling in horizontal position, check axis as to be placed in vertical position.



#### Vertical

To be assembled in vertical position the opening direction of the plates has to be in accordance to the direction of the fluid.



Descending flow  
DN<150

Ascending Flow

### WORKING CONDITIONS

Minimum opening pressure : near to zero

Maximum working pressure :16 bar.

Maximum temperature : +110°C.

Pressure test according to standards

EN 12266-1, DIN 3230, BS 6755 and ISO 5208 :

Body : 24 bar.

Seat : 17,6 bar.

### STANDARDS

Manufacture according to the requirements of the European directive 97/23/CE «Equipment under pressure»: category III modulate H. (For DN 40-600)

Face to face according to standard EN 558-1 serie 16.

Mounting between flanges according to standard EN 1092-2 : PN 10/16.