

Ref. : CA 1100.pas

Rev. : Initial

Date : 25/10/06

Page : 1/1

AXIAL BSP THREADED TYPE CHECK VALVE STANDARD TYPE

CA 1100



ROBINETTERIE INDUSTRIELLE ET ACCESSOIRES
INDUSTRIAL VALVES AND ACCESSORIES

APPLICATION

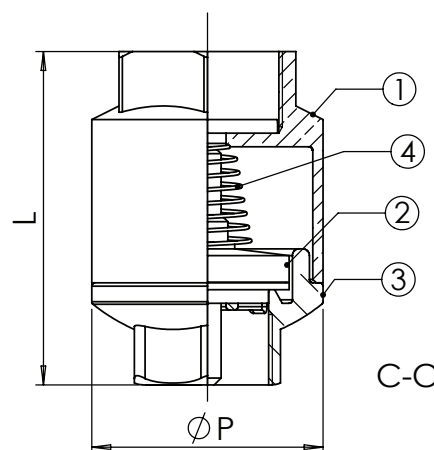
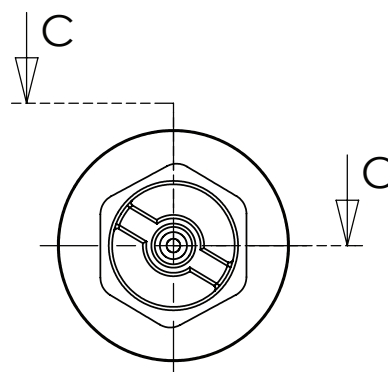
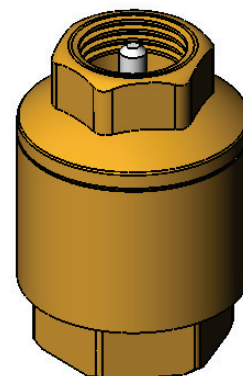
General uses: water distribution, building, pumping of fuel and pumping in general, etc.

GENERAL CHARACTERISTICS

From DN 3/8" to DN 4".
Low head loss.
Multi-poses use.
Mounting in horizontal and vertical position.
Excellent hydraulic result.
Perfect tightness in all conditions.
Silent functioning.

CONSTRUCTION

4	1	Spring	Stainless steel	
3	1	Bonnet	Copper alloy CuZn39Pb2	DIN: CuZn39Pb2 ASTM: B124 C37700 BS: 12164 CZ121
2	1	Disc	Nitril + plastic	
1	1	Body	Copper alloy CuZn39Pb2	DIN: CuZn39Pb2 ASTM: B124 C37700 BS: 12164 CZ121
Pos.	Qty.	Description	Material	



DIMENSIONS

DN	3/8"	1/2"	3/4"	1"	1"1/4	1"1/2	2"	2"1/2	3"	4"
L	46,5	46	54	55	63,5	68	77	98	103	119
Ø P	34,5	36	42	46	57,5	74	81	120	125	155
Poids (kg)	0,09	0,1	0,2	0,3	0,36	0,5	0,8	1,48	1,8	3,1

WORKING CONDITIONS

Maximum working pressure :

DN 3/8" - 1" : 12 bar

DN 1"1/4 - 2" : 10 bar

DN 1"1/2 - 4" : 8 bar

Maximum temperature : - 20°C / + 100°C.

Pressure test according to standards
EN 12266-1, DIN 3230, BS 5154 and ISO 5208.

Body : PS x 1,5

Seat : PS x 1,1

STANDARDS

BSP threaded according to standard ISO 228-1.

