

Ref. : TB 1102.pas

Rev. : Initial

Date : 25/10/06

Page : 1/1

INDUSTRIAL THERMOMETER ANGLE TYPE

TB 1102



Tecofi 
FAREX FLUID SOLUTION DESIGNER

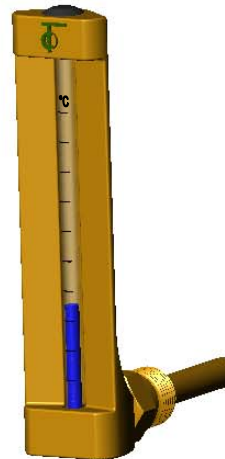
APPLICATION

Temperature measure.

GENERAL CHARACTERISTICS

Temperature scales :

- -30/+50°C;
- -10/+50°C;
- 0/+60°C;
- 0/+100°C;
- 0/+120°C;
- 0/+160°C.

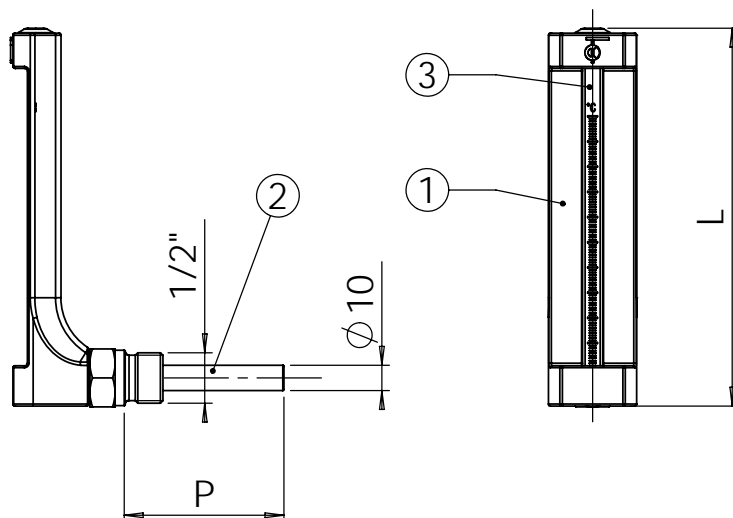


CONSTRUCTION

3	1	Tube	Glass
2	1	Connection + bulb	Brass
1	1	Casing	Aluminium
Pos.	Qty.	Description	Material

DIMENSIONS

TYPE	P	L	Weight (kg)
PM (Small)	40	110	0,18
	63		0,24
MM (Medium)	63	150	0,19
	100		0,30
GM (Large)	63	200	0,30
	100		0,32



STANDARDS

BSP male threaded according to standard ISO 228-1.